

KIT PART NUMBER 1472247
KIT PART NUMBER 1482216

INSTRUCTIONS FOR INSTALLING A BOTTOM PANEL EDGE PROTECTOR KIT IN A SNACK CENTER 1 AND 2 OR REFRESHMENT CENTER 2 AND 3

CHECK THE PARTS RECEIVED IN THE KIT WITH THE PARTS LIST IN THESE INSTRUCTIONS. IF ANY PARTS ARE MISSING, CONTACT NATIONAL VENDORS' PARTS DEPARTMENT IMMEDIATELY.

Read these instructions carefully before installing the kit.
Retain these instructions for part numbers and for future reference.

This kit contains the following:

PART NUMBER	DESCRIPTION	QTY PER KIT	
		1472247/1482216	
1472245	Edge Protector, Bottom	1	-
1482003	Edge Protector, Bottom	-	1
9900166	Screw #8-32 x 5/16 THS, T/C	3	3
1472246	Instructions, Installation	1	1

Remove old bottom trim panel as follows:

1. Place power switch on merchandiser power panel in the OFF position.
2. Disconnect cable from Gum and Mint module PCB.
3. Remove Gum and Mint magazine from delivery pan.
4. Loosen merchandiser door left and right edge trim and horizontal trim below delivery pan.
5. Remove bottom trim panel screws and remove trim panel by sliding toward right edge of door.

Install new bottom trim panel and edge protector as follows:

1. Three additional mounting holes must be drilled in merchandiser door bottom panel. Using a straightedge and scribe, mark a line between centers of the two existing mounting holes. See Figure 1, Detail A.

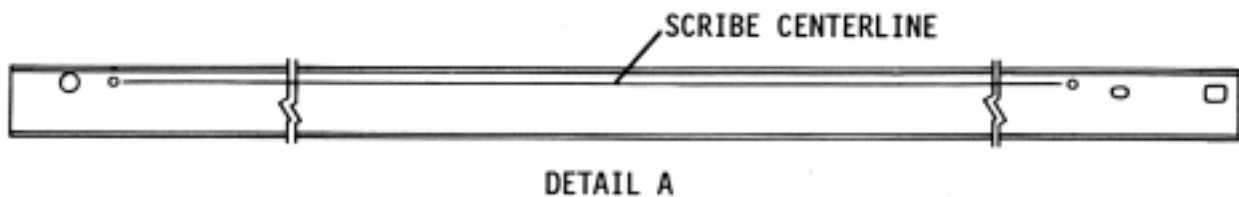
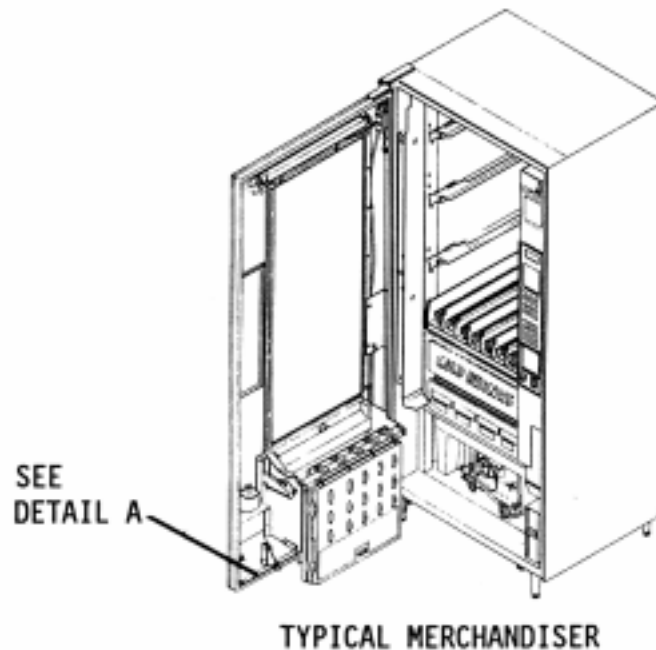


Figure 1

2. Using the dimensions given in Figure 2, drill three mounting holes along the centerline marked in Step 1. See Figure 2.
3. Loosely install edge protector on bottom of door using two #8-32 x 5/16 THS screws.
4. Slide bottom trim panel behind edge protector and under door edge trim from side of door.
5. Tighten the two screws previously installed in the edge protector.

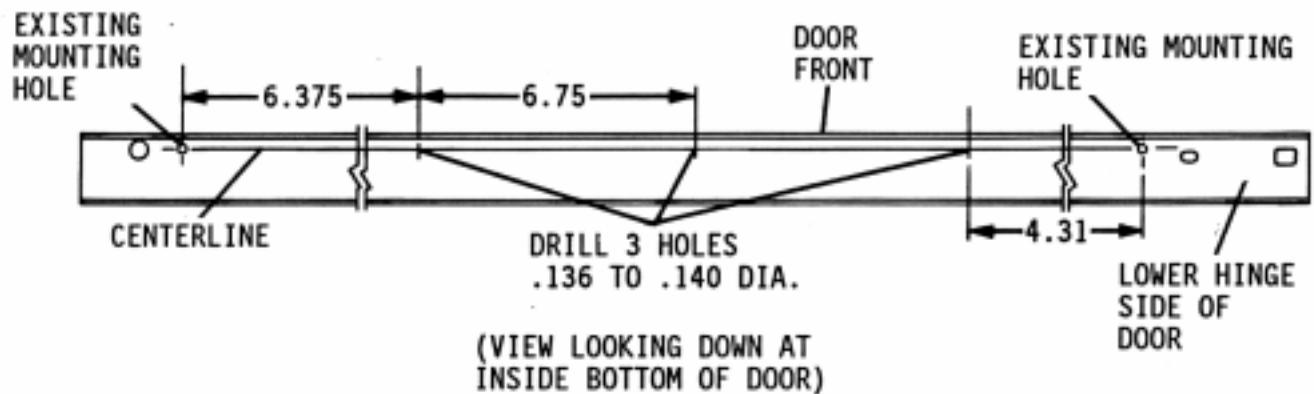


Figure 2

6. Tighten door edge trim and horizontal trim fasteners.
7. Install remaining three #8-32 x 5/16 THS screws in edge protector. Figure 3 is a cross-sectional view of merchandiser showing *Before* and *After* edge protector installation.

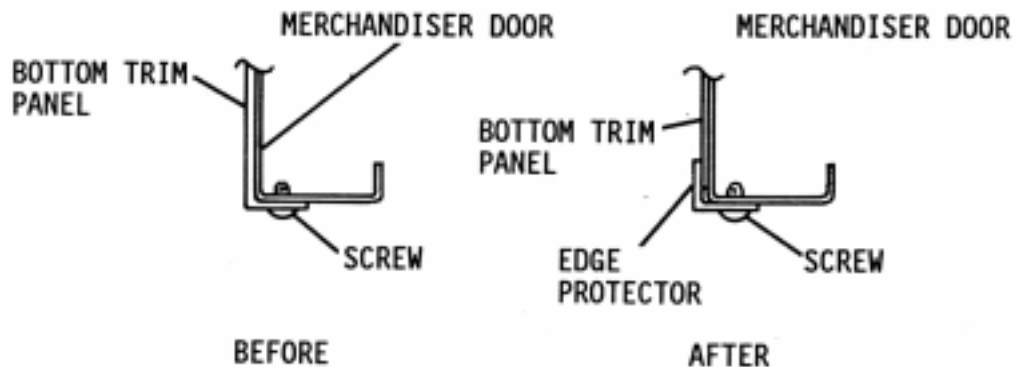


Figure 3

8. Delivery pan should be installed at this time.
9. Mount Gum and Mint magazine on delivery pan.
10. Connect cable to Gum and Mint module PCB.
11. Place power switch on power panel in the ON position.